

EX 100/200 Series

(EX101/201, 115/215) ELECTROMAGNETIC INSERTION FLOW SENSOR SPECIFICATIONS



EX100/200 SERIES ELECTROMAGNETIC
INSERTION FLOW SENSOR SPECIFICATIONS

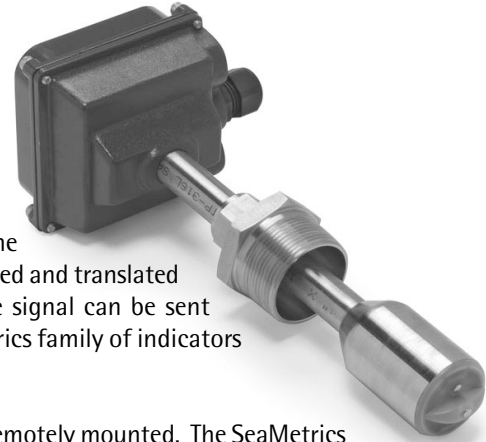
GENERAL INFORMATION

The complete lack of moving parts of this insertion flow sensor is the source of its reliability. There is no rotor to stop turning in dirty water and there are no bearings to wear out. Brass, stainless, and PVC models withstand a variety of temperature, pressure, and chemical conditions. Reverse flow output and submersibility are optional.

A rapidly reversing magnetic field is produced in the lower housing, and as the fluid moves through this field a voltage is generated. This tiny voltage is measured and translated into a frequency signal that is proportional to flow rate. This square wave signal can be sent directly to a PLC or other control or can be converted using any of the SeaMetrics family of indicators and converters.

A modular system of electronics can be attached directly to the flow sensor or remotely mounted. The SeaMetrics FT420 provides full indication of rate and total, plus 4-20 mA output. The AO55 provides blind 4-20 mA output, while the FS30 can be used for a precise setpoint flow switch. The FT520 is a batching flow processor, and the DL75 is a battery-powered data logger.

The adapter fitting of the EX sensor is standard male NPT, and can be directly threaded into ordinary saddles or threaded weld fittings. The EX115 and 215 include an isolation valve, allowing hot-tap installation, or installation and removal under pressure. On brass and stainless models, a bronze ball valve is standard, with a 316 stainless steel valve option if needed. PVC models have a gate valve.

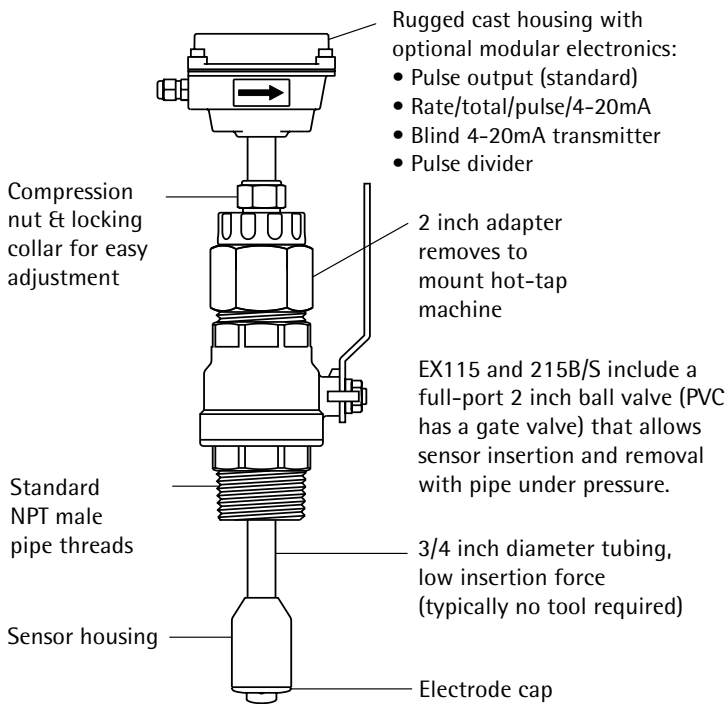


SPECIFICATIONS

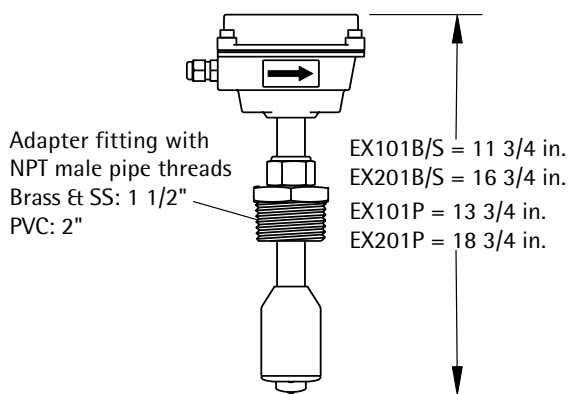
POWER			
• 12 - 24 Vdc, 250 mA			
FLOW RANGE			
• 0.2 - 20 ft/sec (.06 - 6.09 m/sec)			
INSTALLATION FITTING SIZE			
• EX101, 201 Brass & SS = 1-1/2" MNPT • All others = 2" MNPT			
TEMPERATURE			
• Brass/SS: Ambient = 0° - 180° F (-17° - 82° C)		• Fluid: 32° - 200° F (0° - 93° C)	
• PVC: Ambient = 0° - 180° F (-17° - 82° C)		• Fluid: 32° - 130° F (0° - 55° C) @ 0 PSI	
PRESSURE			
• Brass/SS = 200 psi (13.8 bar)		• PVC = 150 psi (10 bar) @ 75° F	
MINIMUM CONDUCTIVITY			
• 20 microsiemens/cm			
MATERIALS			
• Mechanical	316 SS/Brass/PVC	• Electrodes	Hastelloy
• Electrode Cap	PVDF	• Housing	Cast powder-coated aluminum
O-RINGS			
• EPDM (EX115/215 Only)			
CALIBRATION ACCURACY			
• 1% of full scale			
OUTPUT			
• Square wave pulse, opto isolated, 550 Hz @ 20 ft/sec			
EMPTY PIPE DETECTION			
• Software, defaults to zero flow			

EX100/200 SERIES ELECTROMAGNETIC INSERTION FLOW SENSOR Specifications

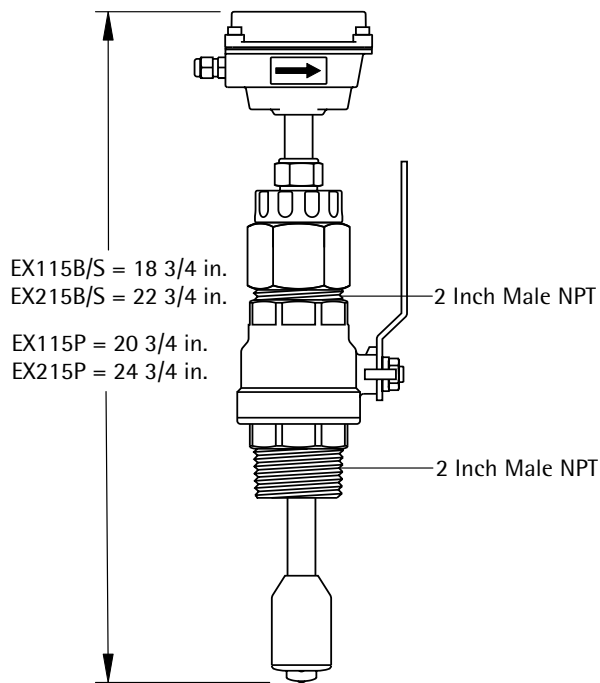
DIMENSIONS & FEATURES



Flow Range (GPM)		
Pipe Size	Min. Flow	Max. Flow
3	5	440
4	8	783
6	18	1,762
8	31	3,133
10	49	4,895
12	70	7,050
14	96	9,596
16	125	12,533
18	159	15,863
20	196	19,584
24	282	28,200
30	440	44,064
36	635	63,452



EX101 and EX201



EX115 and EX215

HOW TO ORDER

EX-SERIES INSERTION MAGNETIC METERS

Pipe Sizes:	Order:	Material Codes:
2" - 10"	EX101 - _____	B = Brass
10" - 48"	EX201 - _____	S = 316 SS
2" - 10"	EX115 - _____	P = PVC
10" - 48"	EX215 - _____	

(Place Material Code Here)



19026 72ND AVE SOUTH, KENT, WA 98032 USA
(P) 253.872.0284 (F) 253.872.0285
WWW.SEAMETRICS.COM 1.800.975.8153