

# RMD10

## BATTERY-POWERED REMOTE TOTALIZER SPECIFICATIONS & INSTRUCTIONS



### GENERAL INFORMATION

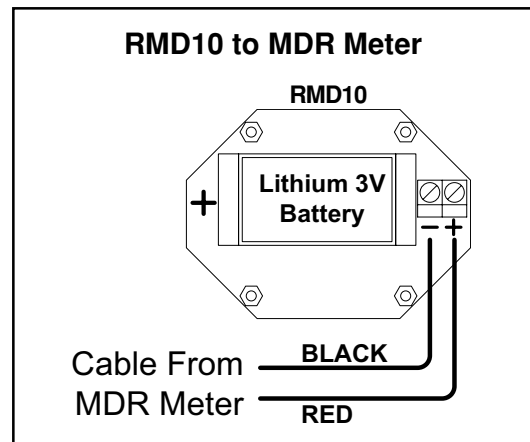
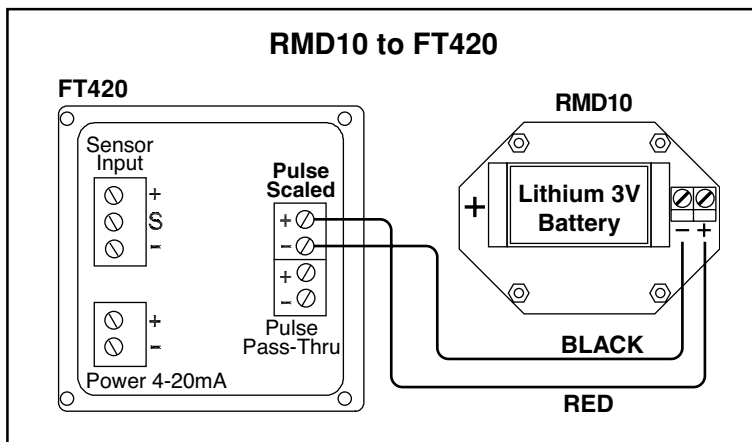
The RMD10 is a digital totalizer that can be conveniently wall-mounted for use with SeaMetrics MDR meters that are mounted in locations where the MDR display is not easily read. The RMD10 can also be used with FT415, FT420, or other SeaMetrics controls when it is desirable to have displays mounted at multiple locations (for instance, in a large plant). The 8-character display is compact, durable, and easily installed, with characters 1/3 inch in height. The RMD10 operates on a 3 V lithium battery with an operational lifespan of approximately 5 years (depending on pulse frequency).



### SPECIFICATIONS

<b>DISPLAY</b>	<ul style="list-style-type: none"><li>• 8-digit, 1/3" character height</li></ul>
<b>BATTERY</b>	<ul style="list-style-type: none"><li>• Lithium, 3V, 1.2 Ah, 2/3 A, replaceable</li><li>• Average battery life 5 years (depends on pulse frequency)</li></ul>
<b>TEMPERATURE RANGE</b>	<ul style="list-style-type: none"><li>• -10°C-50°C (14°F-122°F)</li></ul>
<b>FREQUENCY</b>	<ul style="list-style-type: none"><li>• 20 Hz maximum</li></ul>

### CONNECTIONS



19026 72ND AVE SOUTH, KENT, WA 98032 USA  
(P) 253.872.0284 (F) 253.872.0285  
WWW.SEAMETRICS.COM 1.800.975.8153