



### General Information

The SEB is a plated brass meter suited for clean water. It is available in 1/2" and 3/4" thread, with union-type meter couplings. This meter is ideal for water applications in the ranges 0.2 to 18 GPM.

A 5-30 VDC square wave output makes the SEB ideal for many OEM control applications. This signal interfaces easily with programmable logic controllers and computer input boards.

S-series meters can be combined with the SeaMetrics FT420 flow computer for reading flow rate and total flow, with 4-20 mA output. For metering pump pacing only, a standard feature PD10 divider is recommended.

### Installation

Single-jet meters are some what insensitive to upstream and downstream flow conditions. For best results, however, upstream and downstream straight pipe of five diameters is recommended. Use the union couplings included with the unit for ease of installation and service.

### Maintenance & Repair

Under most applications the SEB should function for many years without requiring service. Certain electrical conditions could cause the Hall-effect sensor to fail. If this should occur, replace the sensor by unthreading it from the cap. Screw in a replacement sensor and reconnect.

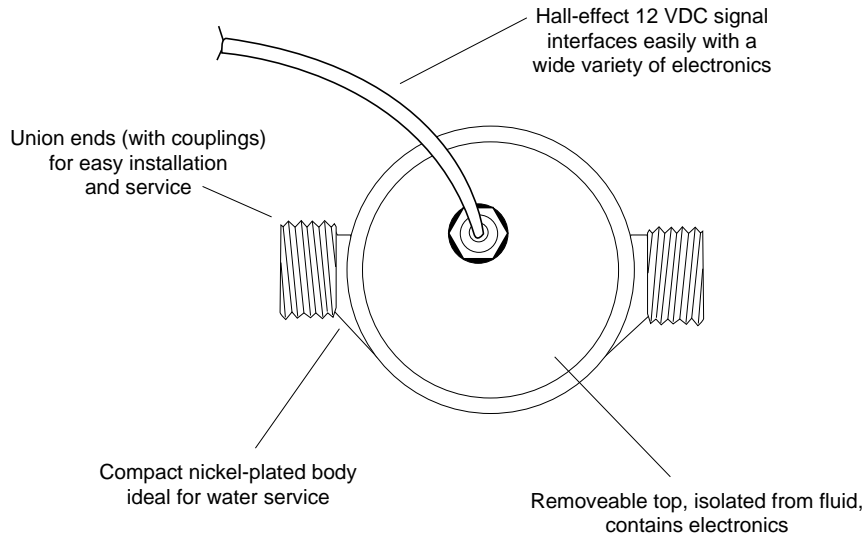
There is only one moving part, the propeller. This is ordinarily replaced at the factory, since the meter must be recalibrated at the time of replacement.

If it is necessary to field-replace a rotor, first snap off the black sensor cover. Then remove the snap ring retaining the brass top plate. Remove the plate to expose the rotor. Reverse the process after replacing the rotor.

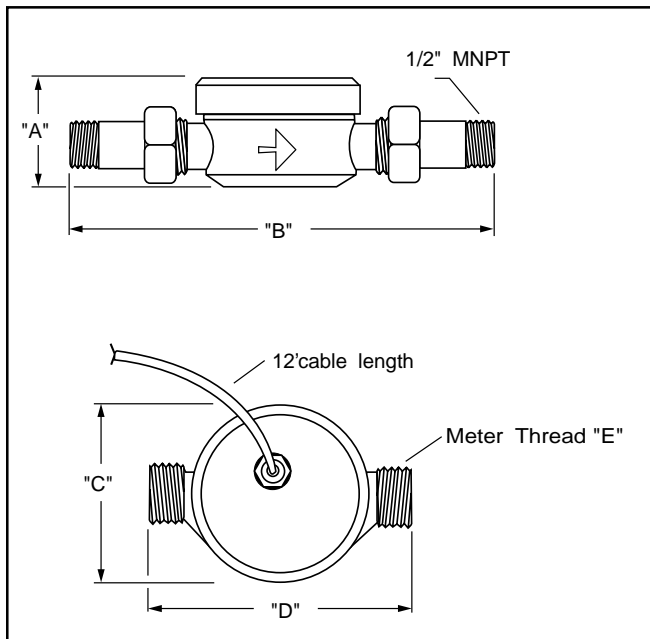
### Specifications

<b>Sensor</b>	GMR	5 - 30 VDC current sinking pulse
<b>Connections</b>		1/2", 3/4" Male NPT
<b>Materials</b>		
Body		Nickel-plated brass
Rotor Chamber		Thermoplastic
Rotor		Thermoplastic
Shaft		Tungsten Carbide
Bearings		Sapphire, graphite
<b>Flow Range</b>		
1/2"		0.2 - 10 GPM
3/4"		0.2 - 18 GPM
<b>Accuracy</b>		±1% FS
<b>Standard K Factor</b>		
1/2"		308 Pulses per gallon
3/4"		174 Pulses per gallon
<b>Maximum Temperature</b>		185° F (85° C)
<b>Maximum Pressure</b>		175 psi (12 bar)
<b>Maximum Current</b>		20 mA
<b>Cable</b>		#22 AWG 3-con, 12' (4m)
<b>Maximum Cable Run</b>		2,000 feet (650m)

## Features

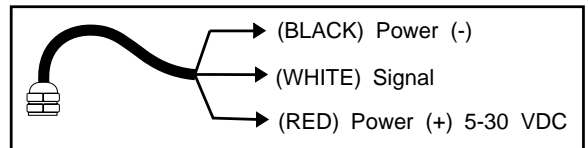


## Dimensions



Dimension	1/2"	3/4"
A	1.56	1.56
B	10.0	10.2
C	2.7	2.7
D	5.1	5.1
E	3/4" BSP	1" BSP

## Sensor Connection



## How to Order

Size: 1/2" -050  
 3/4" -075

SEB-\_\_\_\_\_

Standard plated brass meter  
 with 12' cable and union couplings

# SeaMetrics

20419 80th Ave. So., Kent WA. 98035 USA  
 Phone: 253-872-0284 Fax: 253-872-0285  
[www.seametrics.com](http://www.seametrics.com) 1-800-975-8153